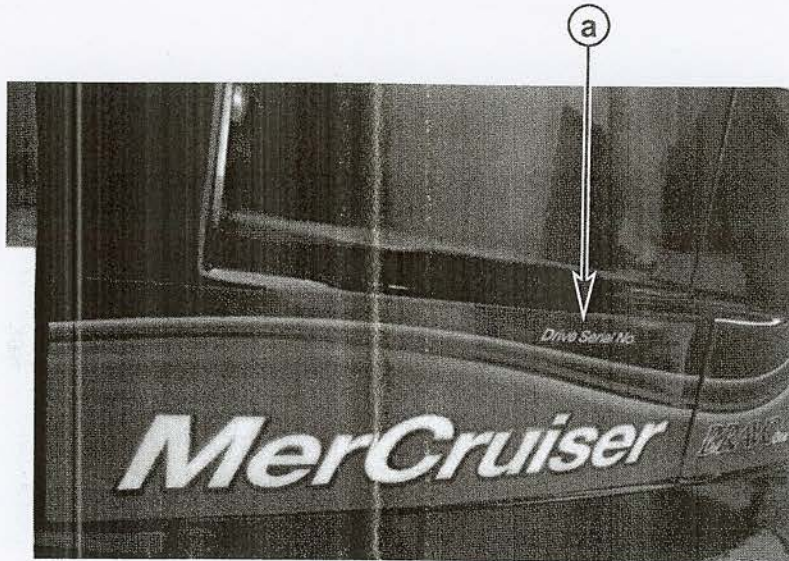


Sterndrive Decal Identification

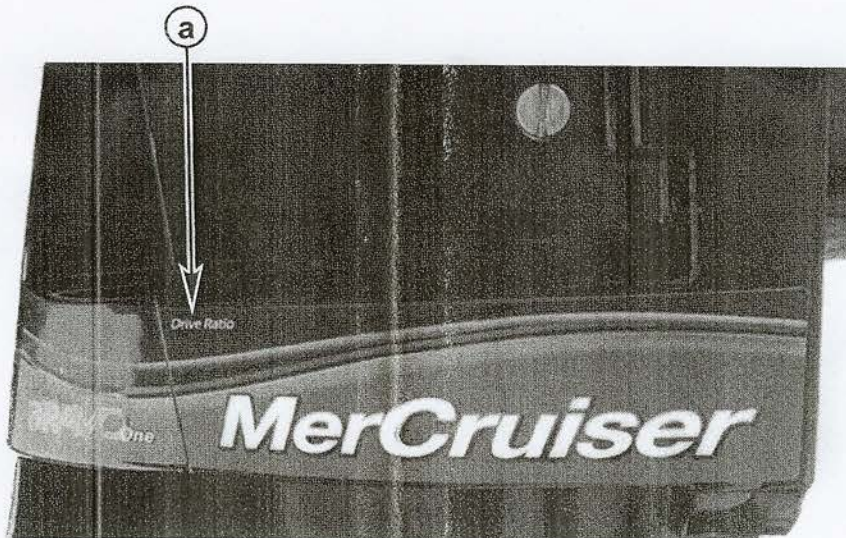
All Bravo models: The Drive Serial No. is located on the decal of the port side.



15256

a - Drive Serial No.

All Bravo models: The Drive Ratio is located on the decal of the starboard side.



15255

a - Drive Ratio

Transom Decal Identification

The Transom Serial No. is located on the decal.



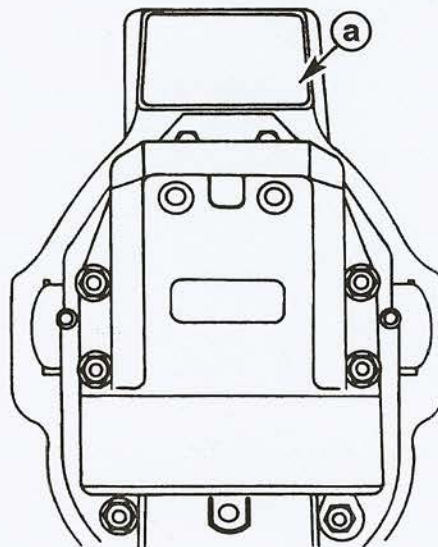
20432

a - Transom serial number

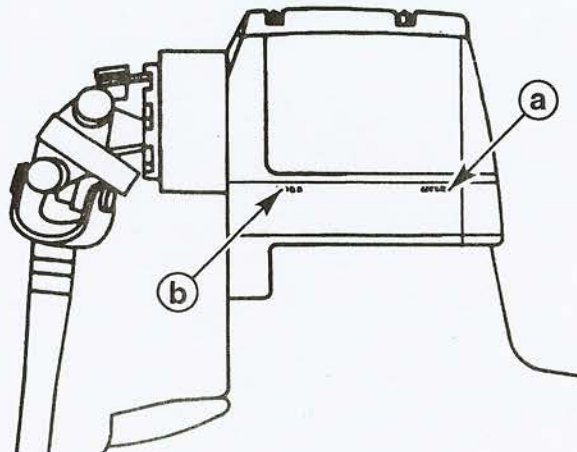
Sterndrive Unit 10-Hour Break-In Period (New or With Replacement Gears)

- Avoid full throttle starts.
- Do not operate at any one constant speed for extended periods of time.
- Do not exceed 75% of full throttle during the first 5 hours. During the next 5 hours, operate at intermittent full throttle.
- Sterndrive unit should be shifted into forward gear a minimum of 10 times during break-in, with run-in time at moderate rpm after each shift.

Serial Number Locations



a - Transom assembly serial number



Port side decal

- a - Sterndrive unit serial number
- b - Sterndrive unit gear ratio